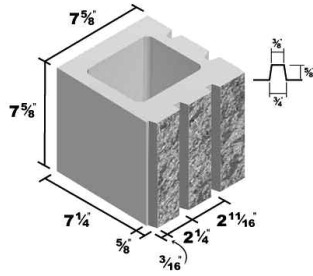
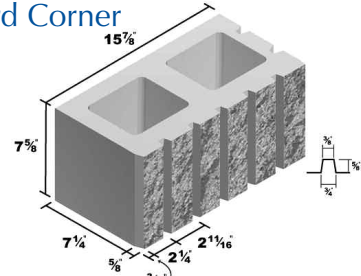


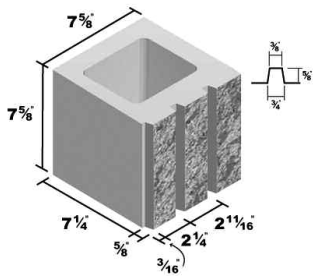
8x8x8 Half Corner
Split Face
6 Taper Score



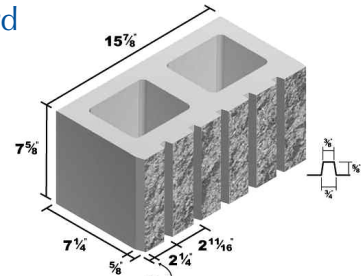
8x8x16 Standard Corner
Split Face
6 Taper Score



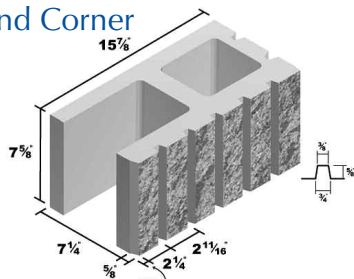
8x8x8 Half
Split Face
6 Taper Score



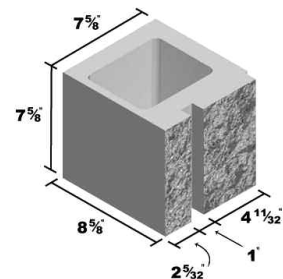
8x8x16 Standard
Split Face
6 Taper Score



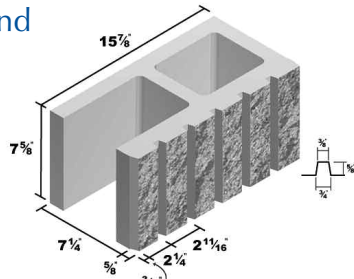
8x8x16 Open End Corner
Split Face
6 Taper Score



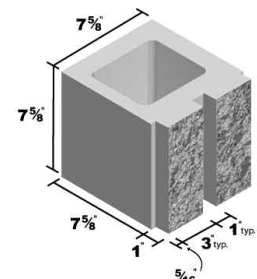
9x8x8 Half
Split Face
1" 3 Score



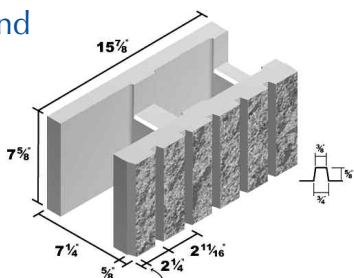
8x8x16 Open End
Split Face
6 Taper Score



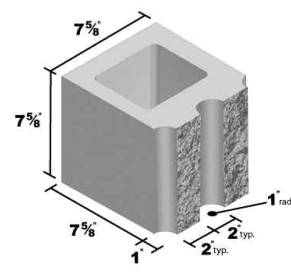
9x8x8 Half
Split Face
1" 4 Score



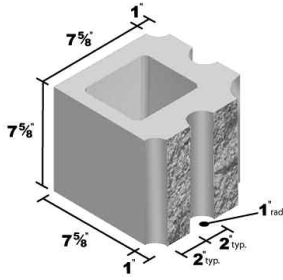
8x8x16 Open End
Bond Beam
Split Face
6 Taper Score



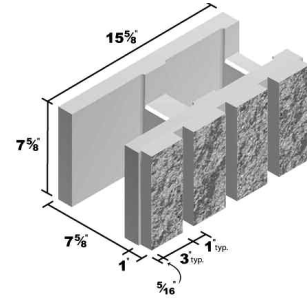
9x8x8 Half
Split Face
4 Flute



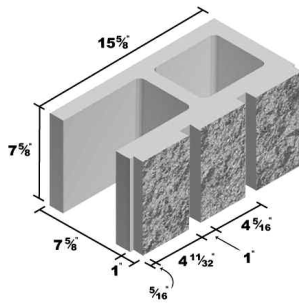
9x8x9 Half Corner
Split Face
4 Flute



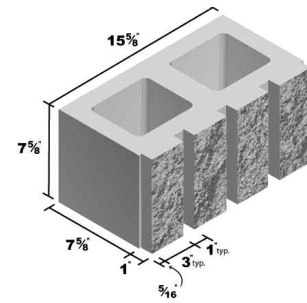
9x8x16 Open End
Bond Beam
Split Face
1" 4 Score



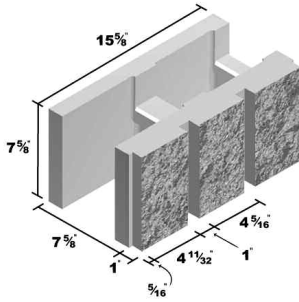
9x8x16 Open End
Split Face
1" 3 Score



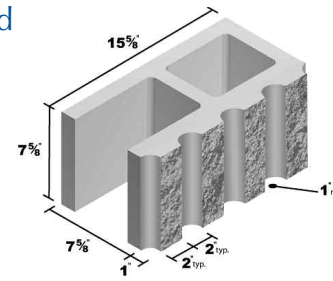
9x8x16 Standard
Split Face
1" 4 Score



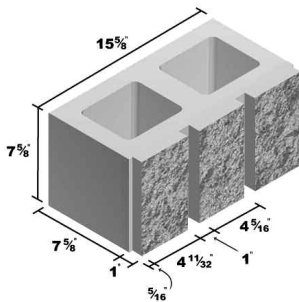
9x8x16 Open End
Bond Beam
Split Face
1" 3 Score



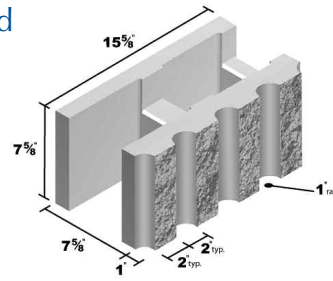
9x8x16 Open End
Split Face
4 Flute



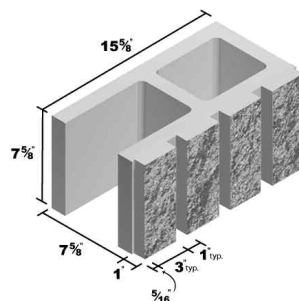
9x8x16 Standard
Split Face
1" 3 Score



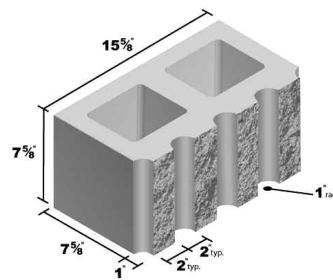
9x8x16 Open End
Bond Beam
Split Face
4 Flute



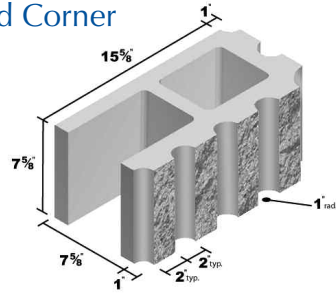
9x8x16 Open End
Split Face
1" 4 Score



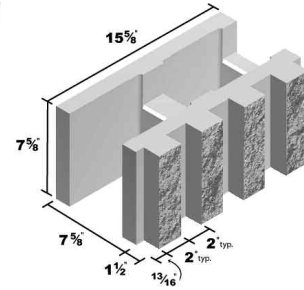
9x8x16 Standard
Split Face
4 Flute



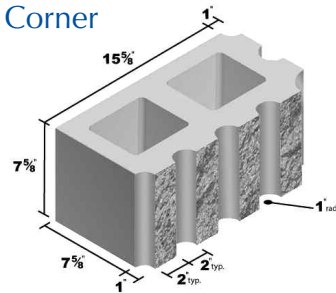
9x8x17 Open End Corner
Split Face
4 Flute



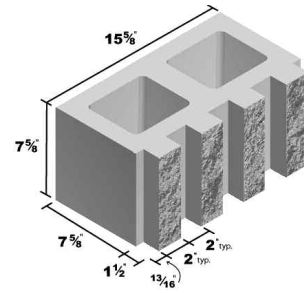
10x8x16 Open End
Bond Beam
Split Face
2" 4 Score



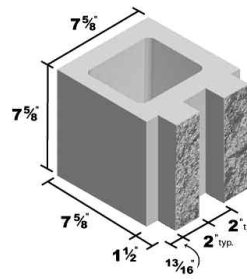
9x8x17 Standard Corner
Split Face
4 Flute



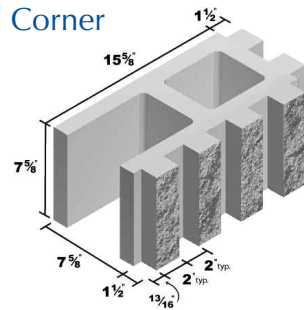
10x8x16 Standard
Split Face
2" 4 Score



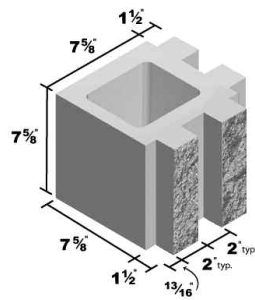
10x8x8 Half
Split Face
2" 4 Score



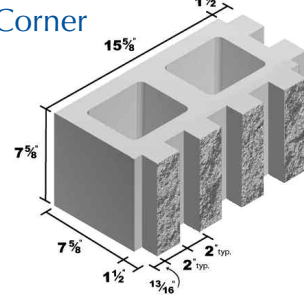
10x8x18 Open End Corner
Split Face
2" 4 Score



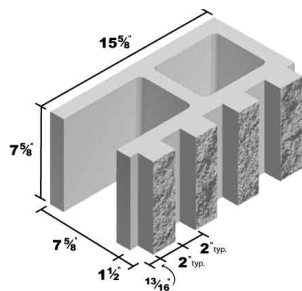
10x8x10 Half Corner
Split Face
2" 4 Score



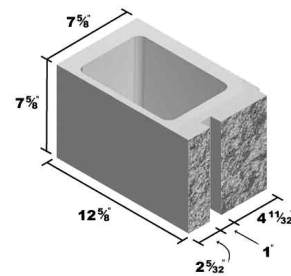
10x8x18 Standard Corner
Split Face
2" 4 Score



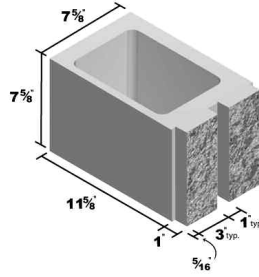
10x8x16 Open End
Split Face
2" 4 Score



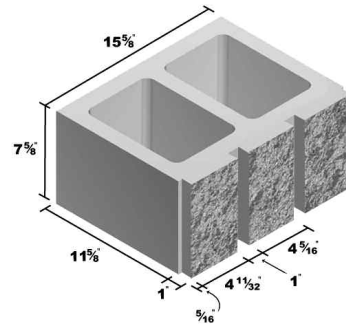
13x8x8 Half
Split Face
1" 3 Score



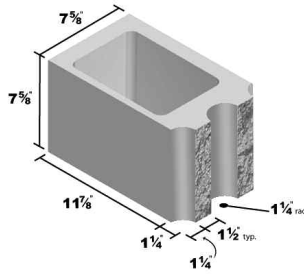
13x8x8 Half
Split Face
1" 4 Score



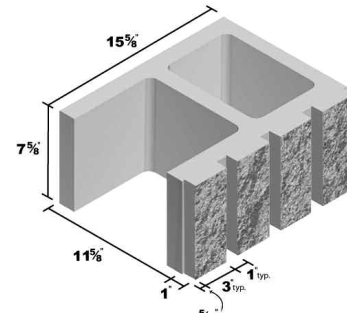
13x8x16 Standard
Split Face
1" 3 Score



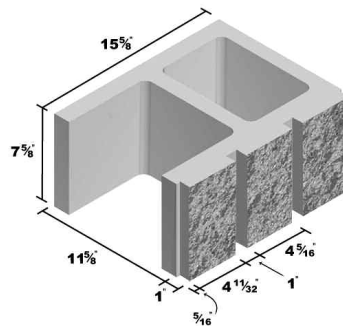
13x8x8 Half
Split Face
4 Flute



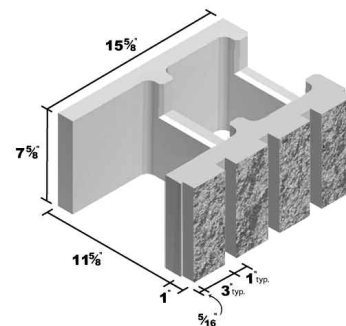
13x8x16 Open End
Split Face
1" 4 Score



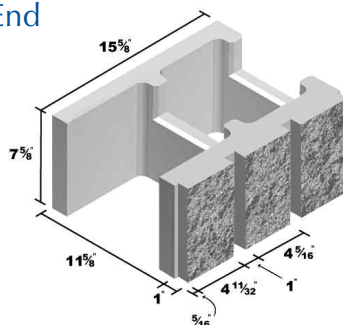
13x8x16 Open End
Split Face
1" 3 Score



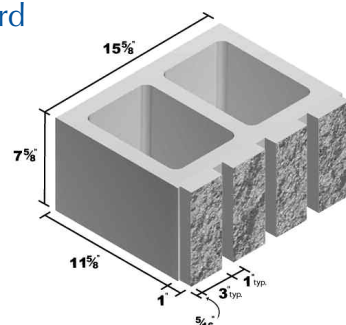
13x8x16 Open End
Bond Beam
Split Face
1" 4 Score



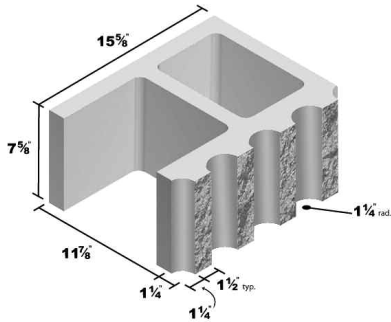
13x8x16 Open End
Bond Beam
Split Face
1" 3 Score



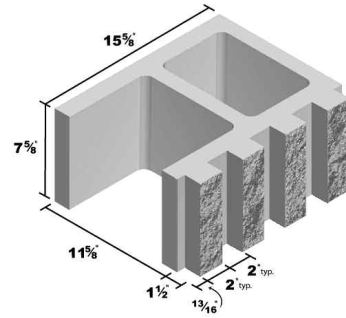
13x8x16 Standard
Split Face
1" 4 Score



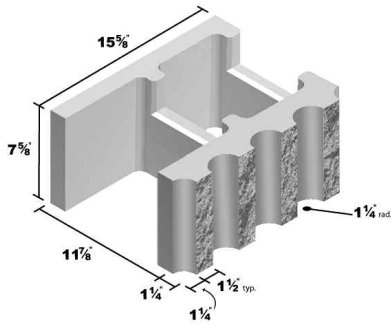
13x8x16 Open End
Split Face
4 Flute



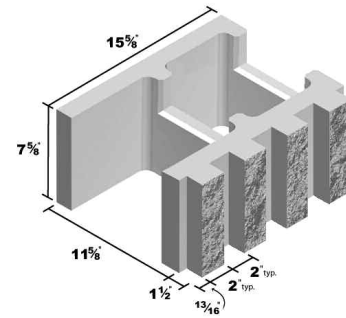
14x8x16 Open End
Split Face
2" 4 Score



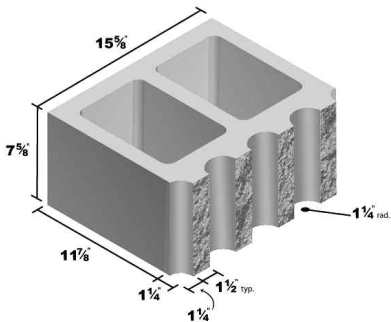
13x8x16 Open End
Bond Beam
Split Face
4 Flute



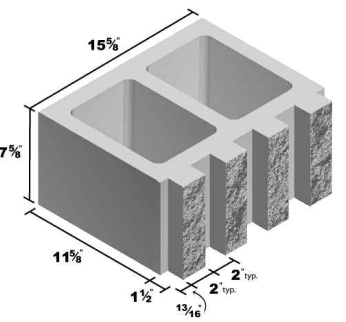
14x8x16 Open End
Bond Beam
Split Face
2" 4 Score



13x8x16 Standard
Split Face
4 Flute



14x8x16 Standard
Split Face
2" 4 Score



14x8x8 Half
Split Face
2" 4 Score

