



# ARCHITECTURAL CONCRETE MASONRY

[Serving Idaho]

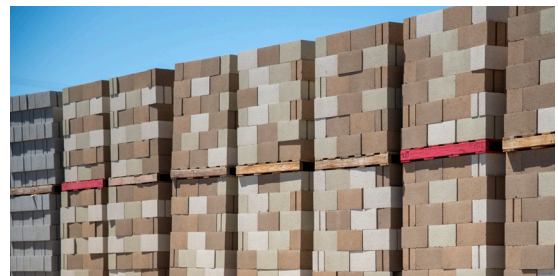




# OUR STORY

The Pacific Coast Building Products family originated in 1953 when a young man opened his business in Sacramento, California. Through humble beginnings of Anderson Lumber, owner Fred Anderson expanded his company into several building product-related businesses and has flourished ever since.

In 1979, Basalite® Concrete Products became part of the PCBP family. Today, Basalite has become one of the largest suppliers of concrete masonry products in Western North America. Our product lines include structural block, interlocking paving stones, wall systems, retaining walls, ornamental and garden products and a full range of packaged concrete/mortar products.



# TABLE OF CONTENTS



## CMU

ADVANTAGES | 04

## SHAPES

4-INCH CMU | 05

6-INCH CMU | 06

8-INCH CMU | 07

10-INCH CMU | 09

12-INCH CMU | 10

16-INCH CMU | 10

## COLORS & TEXTURES

COLORS | 11 - 17

TEXTURES | 18

## SPECIALTY

SPEC-BRIK® | 20

## MORTAR

Contact a Basalite representative for mortar color options





# SPECIFY WITH CONFIDENCE

All our products are manufactured to meet or exceed CMU manufacturing standards for strength and durability. Our commitment to providing high-quality products and excellent customer service will ensure that your project will be customized to your needs.

Meet with one of Basalite's CMU experts to help with your project, from the initial planning stages through final engineering and approval.



## REQUEST SAMPLES

Need product samples?  
Email [spencer.puccio@basalite.com](mailto:spencer.puccio@basalite.com) or  
call 208-888-4050 to get your samples



## TECHNICAL DOCUMENTS

Looking for data sheets, specifications,  
Environmental Product Declarations and  
technical notes? Visit [basalite-cmu.com](http://basalite-cmu.com)



## LOCALLY MADE

Every Basalite CMU is proudly  
manufactured in our Meridian facility,  
allowing us to deliver precision-made  
products to you, wherever and whenever  
you need them.

## CMU HAS MORE ADVANTAGES THAN YOU CAN IMAGINE.

### MOISTURE PROTECTION & EFFLORESCENCE CONTROL

When it comes to moisture protection, you can specify an Integral Water Repellent (IWR) in both Basalite® block and mortar. During the manufacturing process we use Integral Water Repellent add mixtures that are mixed throughout the concrete. The IWR increases resistance to wind-driven rain, moisture penetration, and reduces efflorescence.

### COLORS & TEXTURES

Turn ordinary into a visual masterpiece by blending Basalite® colors, surface textures, sizes and shapes. We offer a large selection of Standard, Premium and special order colors that are available in Split Face, Ground Face and Precision textures. Speak with your local product expert to get samples.

### SHAPES & SIZES

Create unique and memorable design details with Basalite®'s variety of concrete masonry sizes and shapes. From a large 24" long block to specialty sills.

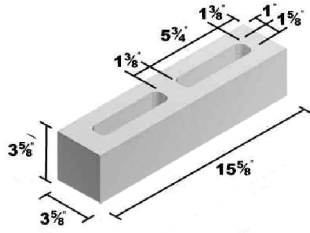
### RESILIENCY

Buildings and structures with resilient design and materials can recover quicker following disasters, reduce green house emissions and improve the impacts of a building on the health and performance of occupants. Concrete masonry construction has inherent strength, durability, longevity, fire resistance, seismic and blast resistance all of which contribute to the resiliency of the built environment and can contribute to LEED credits

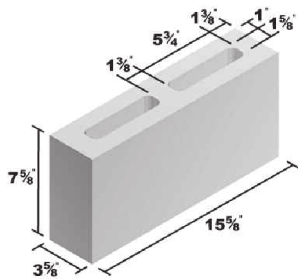
### THERMAL PERFORMANCE

Due to the thermal mass of concrete masonry construction, some energy codes and standards require less insulation in CMU buildings than in equivalent light-frame structures. Although the thermal mass and inherent R-value/U-factor of CMU may be enough to meet energy code requirements (particularly in warmer climates), CMU buildings may need additional insulation.

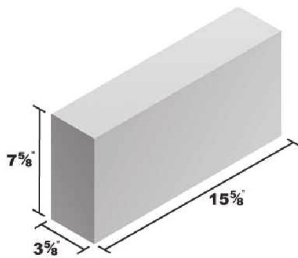
# SHAPES | 4-INCH CMU



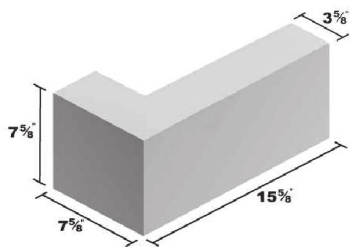
4x4x16 Standard



4x8x16 Partition



4x8x16 Solid

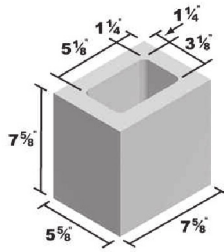


4x8x16x8 L Corner

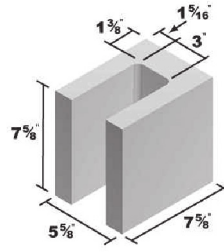


# SHAPES | 6-INCH CMU

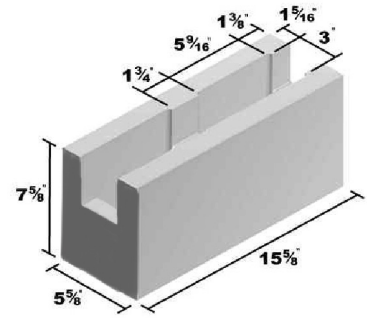
FOR MORE INFORMATION  
Contact your local dealer, contractor  
or visit [basalite-cmu.com](http://basalite-cmu.com)



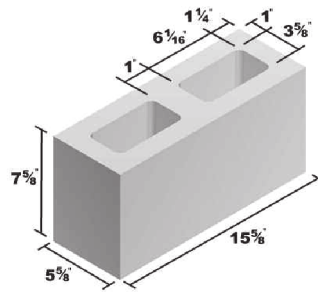
6x8x8 Half



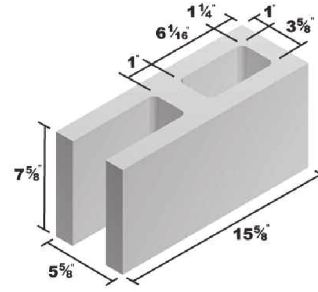
6x8x8 Lintel



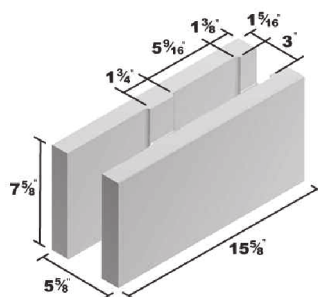
6x8x16 Closed  
End Bond Beam



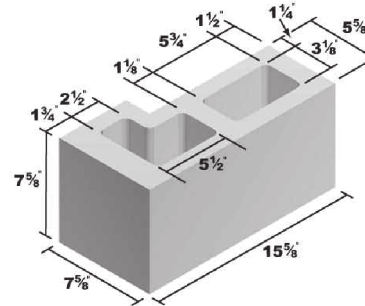
6x8x16 Standard



6x8x16 Open End  
Standard



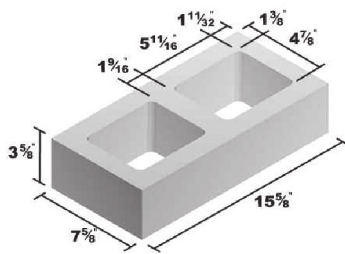
6x8x16 Open End  
Bond Beam



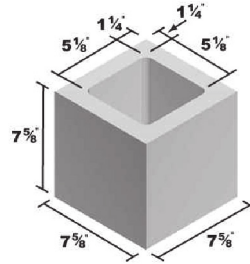
6x8x16 Corner Return

# SHAPES | 8-INCH CMU

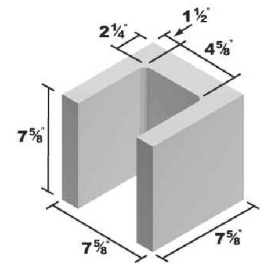
FOR MORE INFORMATION  
Contact your local dealer, contractor  
or visit [basalite-cmu.com](http://basalite-cmu.com)



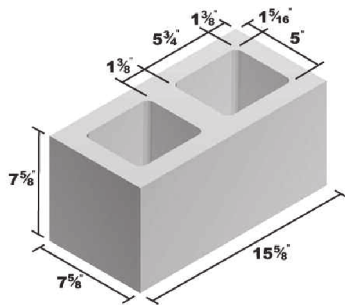
8x4x16 Standard



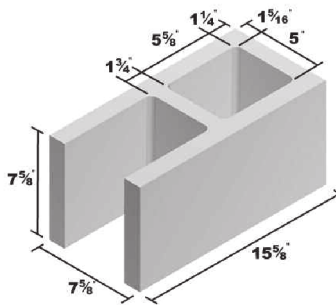
8x8x8 Half



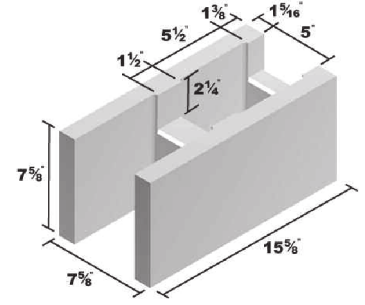
8x8x8 Lintel



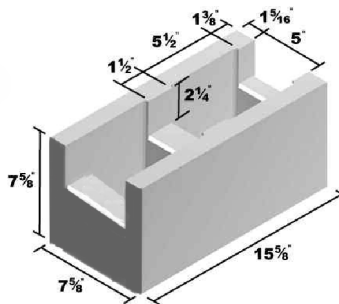
8x8x16 Standard



8x8x16 Open End  
Standard



8x8x16 Open End  
Bond Beam



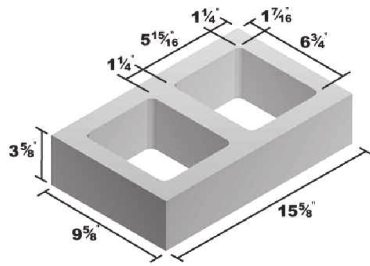
8x8x16 Closed  
End Bond Beam



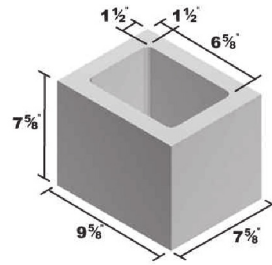


# SHAPES | 10-INCH CMU

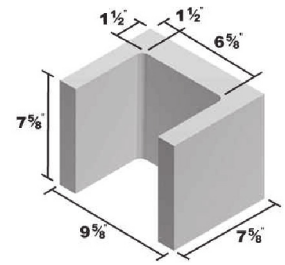
FOR MORE INFORMATION  
Contact your local dealer, contractor  
or visit [basalite-cmu.com](http://basalite-cmu.com)



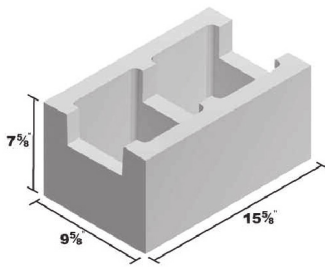
10x4x16 Standard



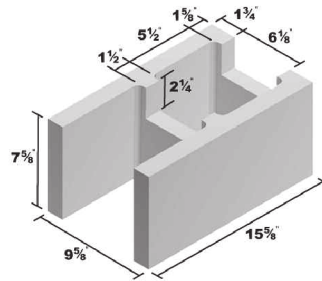
10x8x8 Half



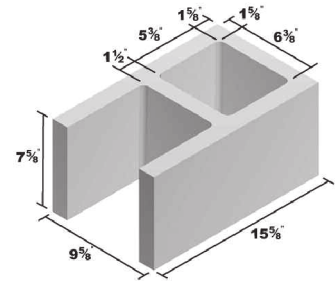
10x8x8 Lintel



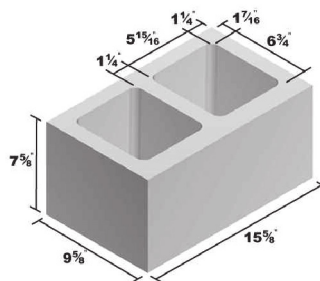
10x8x16 Closed End  
Bond Beam



10x8x16 Open End  
Bond Beam



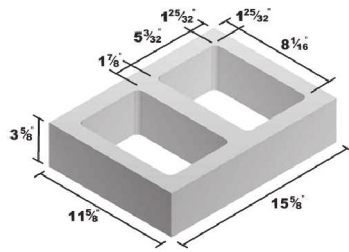
10x8x16 Open End  
Standard



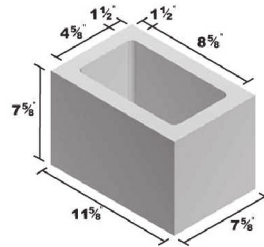
10x8x16 Standard

# SHAPES | 12-INCH CMU

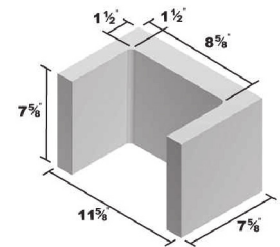
FOR MORE INFORMATION  
Contact your local dealer, contractor  
or visit [basalite-cmu.com](http://basalite-cmu.com)



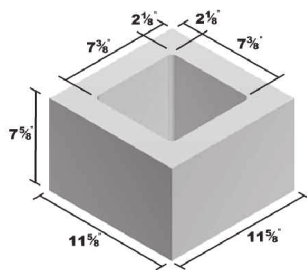
12x4x16 Solid



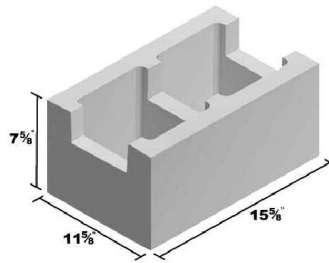
12x8x8 Half



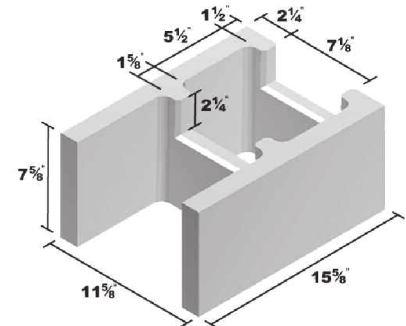
12x8x8 Lintel



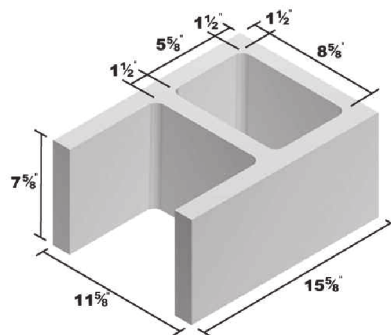
12x8x12 Column



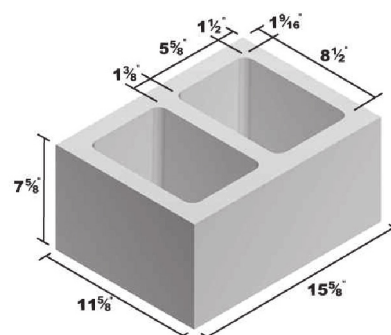
12x8x16 Closed End  
Bond Beam



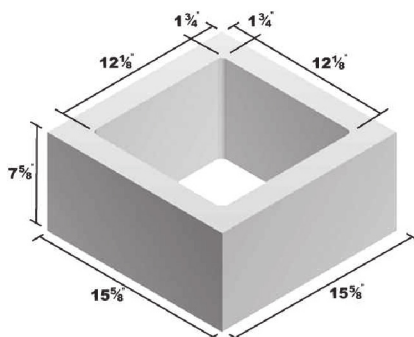
12x8x16 Open End  
Bond Beam



12x8x16 Open End  
Standard



12x8x16 Standard



16x8x16 Column

# SHAPES | 16-INCH CMU

## 600 - BASE MEDIUM COLOR



PRECISION



GROUND FACE



SPLIT FACE

## 625 - STANDARD MEDIUM COLOR



PRECISION



GROUND FACE



SPLIT FACE

## 630 - STANDARD MEDIUM COLOR



PRECISION

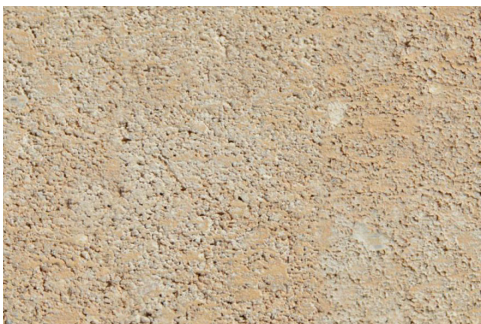


GROUND FACE

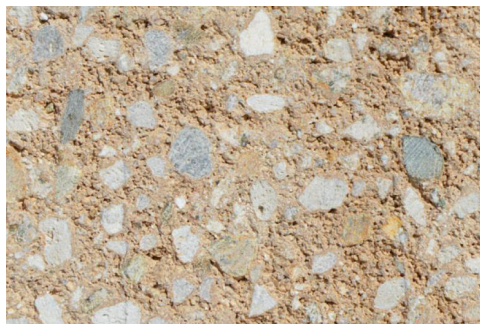


SPLIT FACE

## 635 - STANDARD MEDIUM COLOR



PRECISION



GROUND FACE



SPLIT FACE

## 640 - STANDARD MEDIUM COLOR



PRECISION



GROUND FACE



SPLIT FACE

## 650 - STANDARD MEDIUM COLOR



PRECISION



GROUND FACE

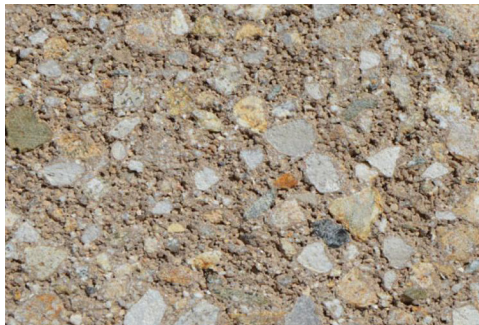


SPLIT FACE

## 655 - STANDARD MEDIUM COLOR



PRECISION



GROUND FACE



SPLIT FACE

## 660 - STANDARD MEDIUM COLOR



PRECISION



GROUND FACE



SPLIT FACE

## 665 - STANDARD MEDIUM COLOR



PRECISION



GROUND FACE



SPLIT FACE

## 670 - STANDARD MEDIUM COLOR



PRECISION



GROUND FACE



SPLIT FACE

## 675 - STANDARD MEDIUM COLOR



PRECISION



GROUND FACE

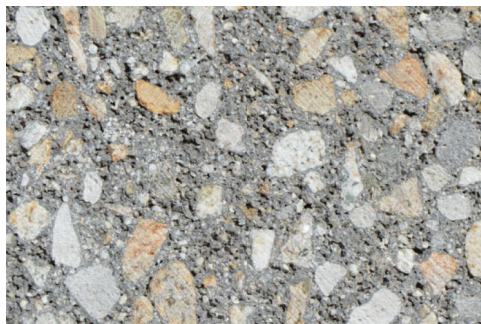


SPLIT FACE

## 695 - STANDARD MEDIUM COLOR



PRECISION



GROUND FACE



SPLIT FACE

## 705 - STANDARD MEDIUM COLOR



PRECISION



GROUND FACE



SPLIT FACE

## 729 - STANDARD MEDIUM COLOR



PRECISION



GROUND FACE



SPLIT FACE

## 762 - STANDARD MEDIUM COLOR



PRECISION



GROUND FACE



SPLIT FACE

## 825 - STANDARD MEDIUM COLOR



PRECISION



GROUND FACE



SPLIT FACE

## 830 - STANDARD MEDIUM COLOR



PRECISION



GROUND FACE



SPLIT FACE

## 995 - STANDARD MEDIUM COLOR



PRECISION



GROUND FACE



SPLIT FACE

## 399 - STANDARD LIGHT COLOR



PRECISION



GROUND FACE



SPLIT FACE

## BLOCK COLORS

are regional and are tied to locally available aggregates and materials. Before selecting colors for a project, ask yourself: "Where is my project located?" If your office is in San Francisco, but your project is in Reno, NV, then you want to select colors from the Reno, NV region.



## 615 - PREMIUM MEDIUM COLOR



PRECISION



GROUND FACE



SPLIT FACE

## 620 - PREMIUM MEDIUM COLOR



PRECISION



GROUND FACE



SPLIT FACE

## 685 - PREMIUM MEDIUM COLOR



PRECISION



GROUND FACE



SPLIT FACE

## 690 - PREMIUM MEDIUM COLOR



PRECISION



GROUND FACE



SPLIT FACE

# CMU | COLORS

FOR MORE INFORMATION  
Contact your local dealer, contractor  
or visit [basalite-cmu.com](http://basalite-cmu.com)

## 720 - PREMIUM MEDIUM COLOR



PRECISION



GROUND FACE



SPLIT FACE

## 780 - PREMIUM MEDIUM COLOR



PRECISION



GROUND FACE



SPLIT FACE





## TEXTURES



PRECISION



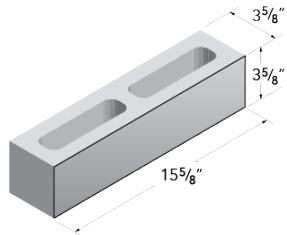
GROUND FACE



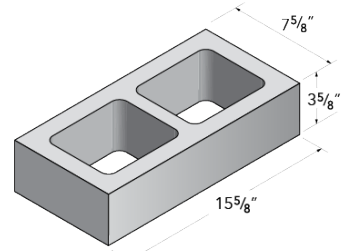
SPLIT FACE

# SPECIALTY | SPEC-BRIK®

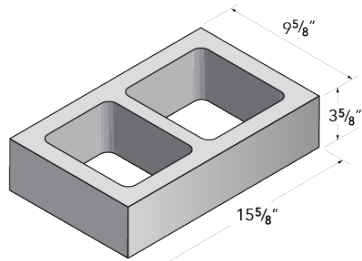
FOR MORE INFORMATION  
Contact your local dealer, contractor  
or visit [basalite-cmu.com](http://basalite-cmu.com)



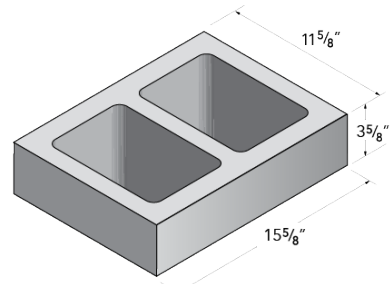
4x4x16  
Spec-Brick



8x4x16  
Spec-Brick



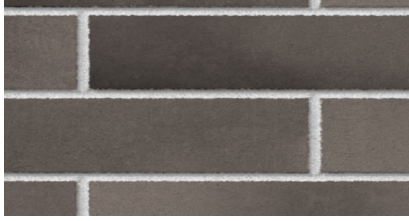
10x4x16  
Spec-Brick



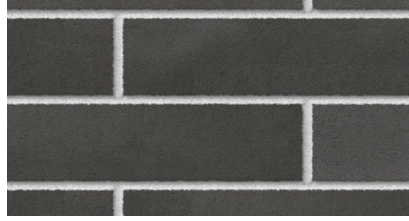
12x4x16  
Spec-Brick



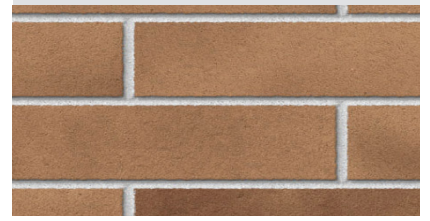
# COLORS | SPEC-BRIK®



FLINT BLEND



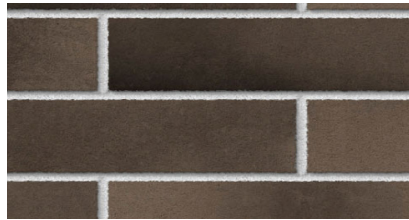
CHESAPEAKE BLEND



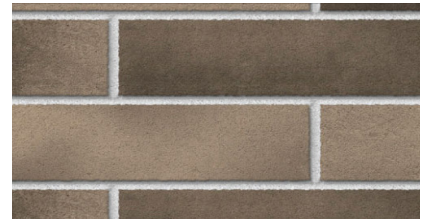
DELAWARE BLEND



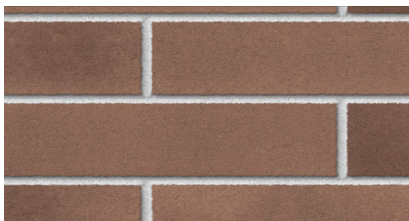
GARDNER BLEND



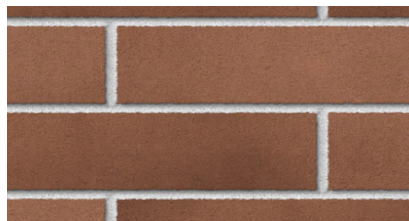
HOUSTON BLEND



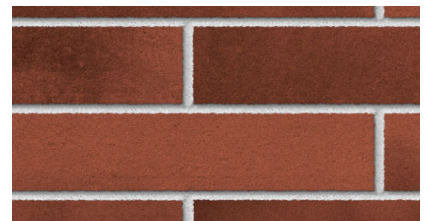
JEFFERSON CITY BLEND



PHILADELPHIA BLEND



ST. CLOUD BLEND



STANTON BLEND



DIXON BLEND



PANAMA CITY BLEND



BASALT BLEND



 **BASALITE**<sup>®</sup>  
Concrete Products

1300 East Franklin Road  
Meridian, ID 83642  
208-888-4050

[BASALITE-CMU.COM](http://BASALITE-CMU.COM)

ALBERTA • BRITISH COLUMBIA • CALIFORNIA • COLORADO • IDAHO • NEVADA • OREGON • WASHINGTON

©2024 Basalite® Concrete Products, LLC. All trademarks ® are registered trademarks. 1/15/2024 KQ-D